



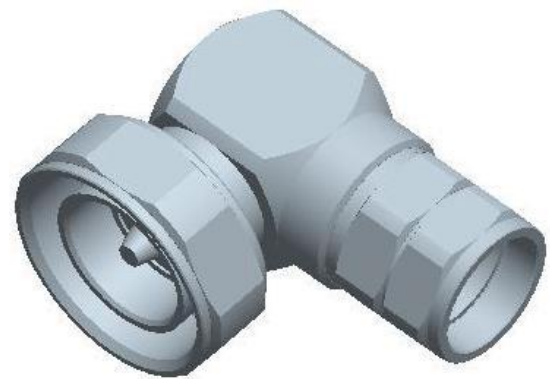
Rosenberger compatible Part Number:

1/2" LCF 60S2C7-C03N1

The FCCC LCF 1/2-7/16 RightAngle Male Connector is series 7/16 RF coaxial connector, characteristic impedance is 50Ω.

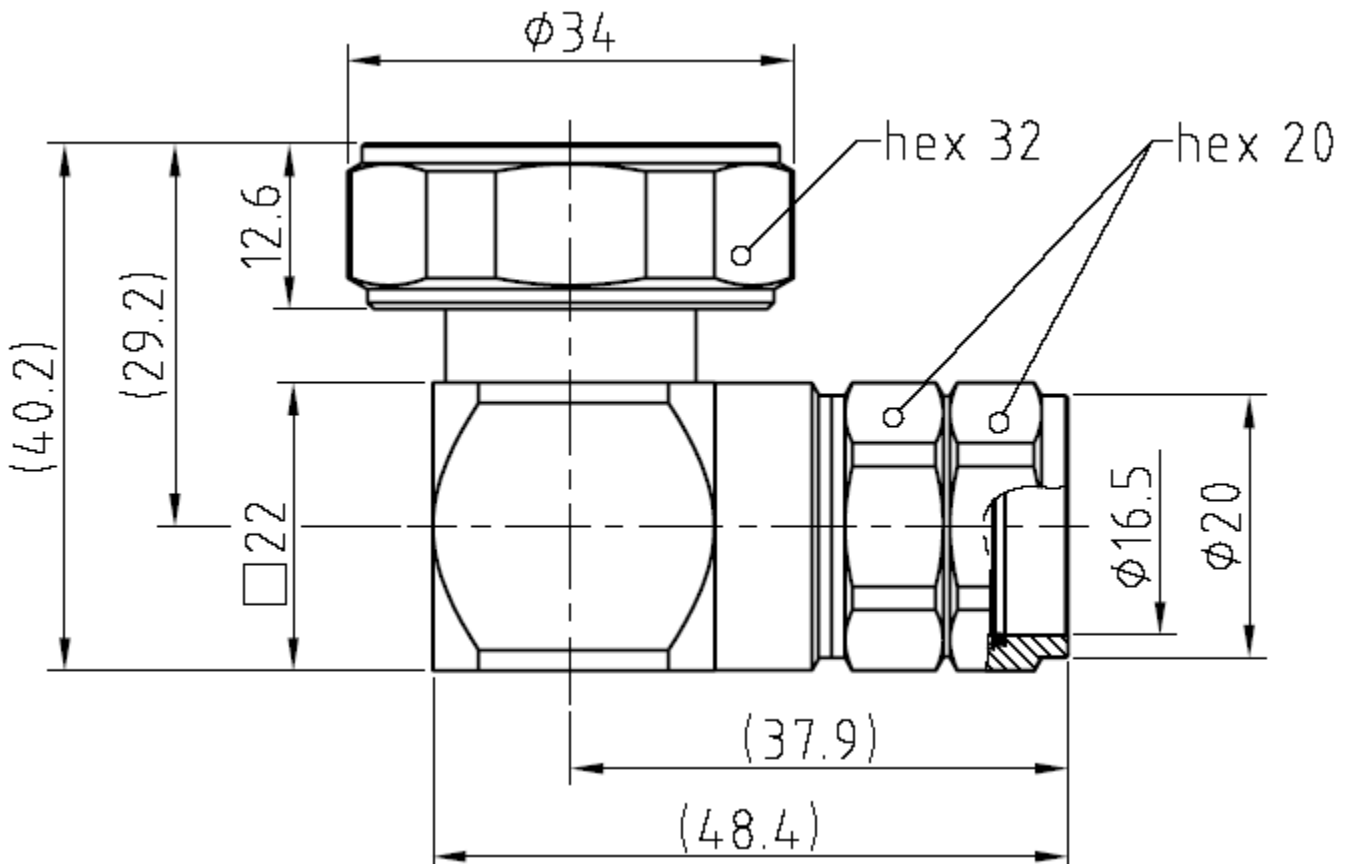
The RF coaxial connector provides superior performance for both return loss and intermodulation distortion.

This LCF 1/2-7/16 RightAngle Male Connector is connected to 1/2" superflexible feeder cable and are ideal for those applications where vibration resistance and environmental protection is important, such as radio base stations and broadcast communication applications because has features such as low RL, low IMD, high power capacity, low VSWR, and air tightness.



Other Details

- Very robust, extremely stable and with waterproof specifications
- Low IMD and low VSWR provides improved system performance
- Excellent mechanical and environmental properties
- IP 68 protection
- Excellent electrical conductivity
- Compliant with IEC, MIL-STD, RoHS, and etc



Technical Specification

Environment Specifications		
Temp. Range	-40°C +85°C	
Water-Proof	IP 68	
RoHs (2002/95/EC)	Compliant	
Electrical and Mechanical Characteristics		
Impedance	50Ω	
Frequency Range	DC-7.5 GHz	
VSWR	≤1.07@DC-3700MHz	
Insertion Loss	≤0.06dB	
Dielectric Withstanding Voltage	≥4000V RMS,50Hz,at sea level	
Dielectric Resistance	≥10000MΩ	
Contact Resistance	Center Contact ≤0.4mΩ Outer Contact ≤1 mΩ	
Intermodulation 3rd	≤ -160dBc@2×20W	
Resistance to humidity	100%	
Material and Plating		
	Material	Plating
Body	Brass	Tri-metal
Insulator	PTFE	-
Center Conductor	Phosphor bronze	Ag
Coupling Nut	Brass	Tri-metal
Cable Clamp	Brass	Tri-metal
Gasket	Silicon Rubber	-
Applicable Standard		
DIN47275		
IEC 60169-4, IEC 529, IEC 68		
IEC 62037		



+987137742627

+987137742628

+987137742169

+989128436521 (business manager)



www.fccc.ir

info@fccc.ir



**200 Danesh St., Koshesh Square,
Danesh corner ,industrial city., Shiraz, iran
Postal code 7158193914**

