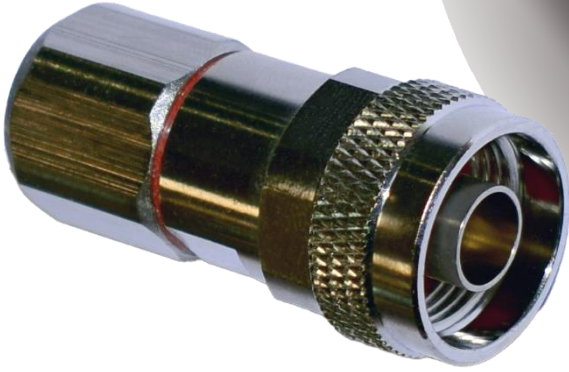
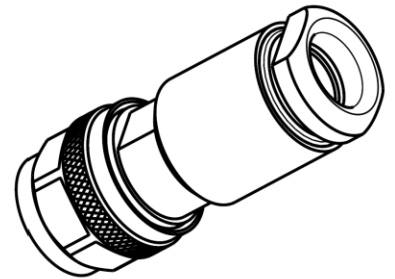


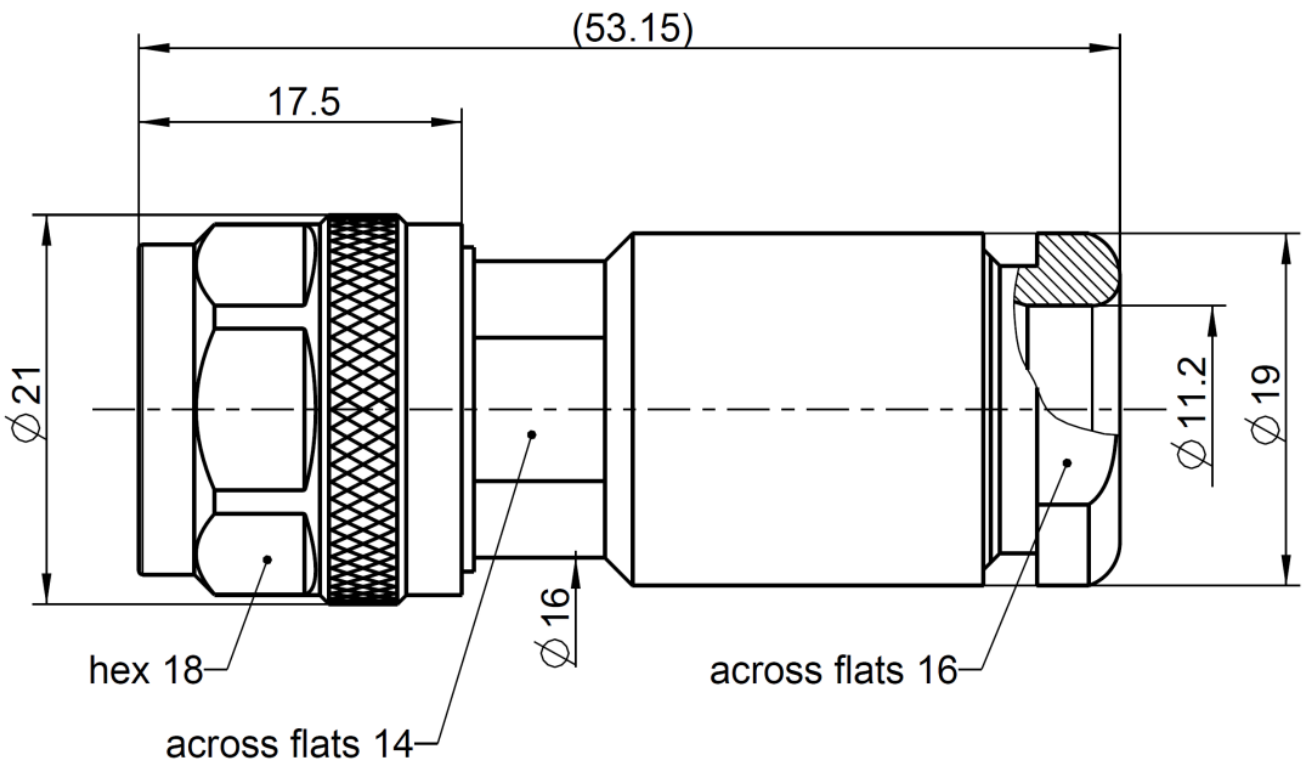
N Male Clamp Connector LMR-300



Rosenberger compatible Part Number:

53S10A-0N9N5





All dimensions are in mm; tolerances according to ISO 2768 m-H

Interface

According to IEC 61169-16, MIL-PRF-39012, CECC 22210

Material and plating

Connector parts	Material	Plating
Center contact	Spring bronze	AuroDur®, gold plated
Outer contact	Brass	tri-metal
Body	Brass	tri-metal
Dielectric	PTFE	
Gasket	NeopreneCR 50C6	

Electrical data

Impedance	50 Ω
Frequency	DC to 11 GHz
Return loss	≥ 25 dB, DC to 3 GHz ≥ 20 dB, 3 to 5 GHz
Insertion loss	≥ 0.05 dB, DC to 5 GHz
Insulation resistance	≥ 5 x10 ³ MΩ
Center contact resistance	≤ 1 mΩ
Outer contact resistance	≤ 0.25 mΩ
Test voltage	2500 V rms
Working voltage (at sea level)	1400 V rms
Power handling (at 20 °C, sea level, VSWR 1.0)	700 W @ 2 GHz ≥ 128 dB up to 1 GHz

- Limitations are possible due to the used cable type -

Mechanical data

Mating cycles	min. 500
Coupling nut retention	≥ 450 N
Coupling test torque	max. 1.7 Nm
Recommended torque	0.7 Nm to 1.1 Nm

Environmental data

Temperature range	-55 ° C to +85 ° C
Thermal shock	MIL-STD-202, Method 107, Condition B
Corrosion resistance	MIL-STD-202, Method 101, Condition B
Vibration	MIL-STD-202, Method 204, Condition B
Shock	MIL-STD-202, Method 213, Condition G
Moisture resistance	MIL-STD-202, Method 106
Degree of protection (mated pair) 2002/95/EC (RoHS)	IEC 60529, IP65 compliant

Weight

Weight	71 g/pce
--------	----------



+987137742627

+987137742628

+987137742169

+989128436521 (business manager)



www.fccc.ir

info@fccc.ir



**200 Danesh St., Koshesh Square,
Danesh corner ,industrial city., Shiraz, iran
Postal code 7158193914**

